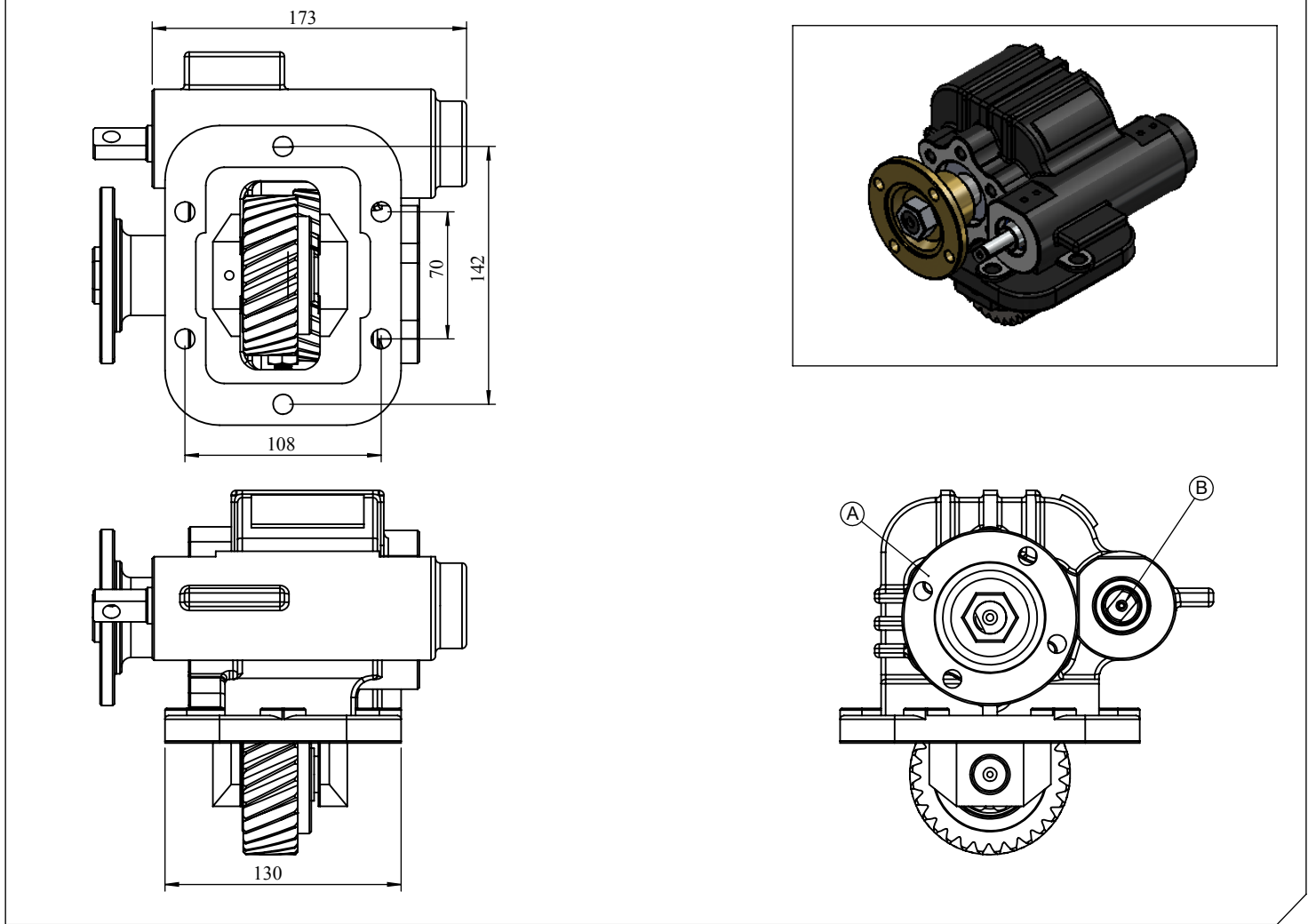


Vehicle Type	DAIHATSU DELTA - TOYOTA
Gearbox Type	M 153

Product Code	DHT.06.M153M.UF
---------------------	------------------------



Products Views



Component Details

- A : PTO Output (Standard DIN 5463 6X21X25 UNI 3 Bolt)
 Direct mounting ISO 4 bolt mtg. adapter
 Drive flange
- B : Mechanic Control

Technical Details

Power	Maximum Torque		Input/Output	Mounting Side	Control Type
	kW	Nm			
21.8	208	21.3	1/0.93	Right - Left	Mechanic
				Weight	Sense of Rotation
				13 kg	Opposite of Input